

MB1608W SERIES ~ Multilayer Chip Ferrite Bead for GHz Noise

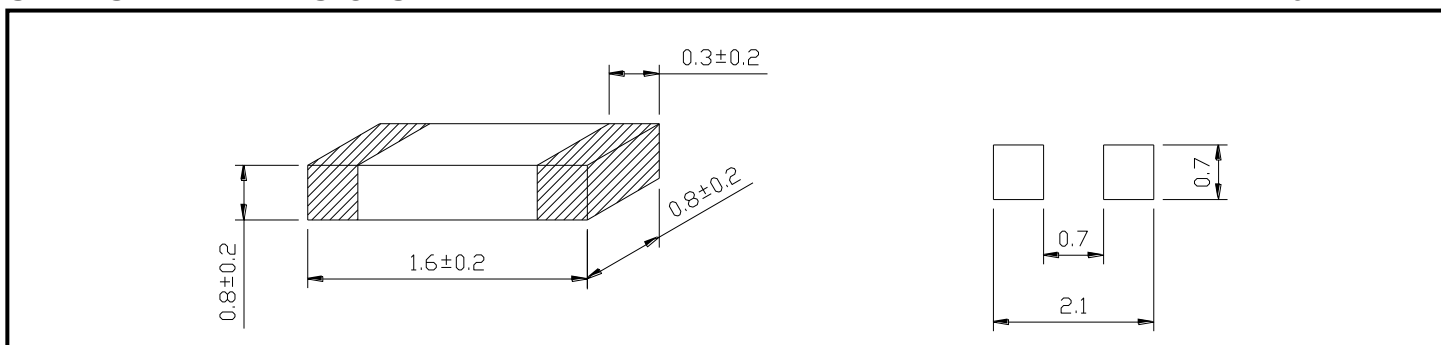


PART NUMBERING SYSTEM

MB	1608W	—	601	—	LF
TYPE	DIMENSIONS		IMPEDANCE		LEAD FREE

SHAPES AND DIMENSIONS

UNIT : mm



SPECIFICATION TABLE

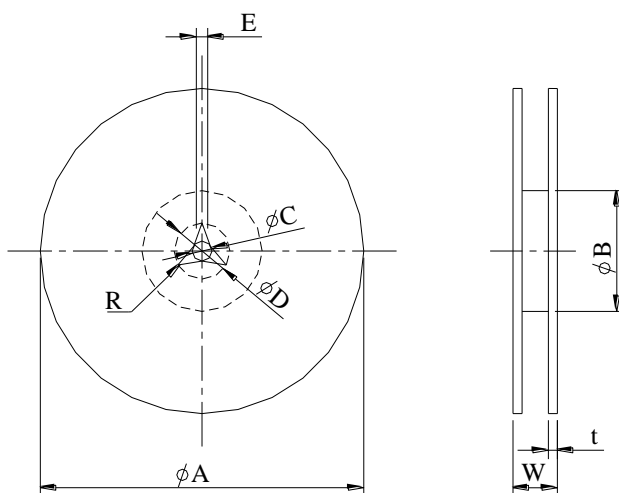
PART NUMBER	IMPEDANCE (Ω) at 100MHz	IMPEDANCE (Ω) at 1GHz	DCR (Ω) (max)	IDC (mA) (max)
MB1608W-101-LF	100±25%	140 Typ.	0.045	2,000
MB1608W-121-LF	120±25%	145 Typ.	0.045	2,000
MB1608W-181-LF	180±25%	260 Typ.	0.050	2,000
MB1608W-221-LF	220±25%	300 Typ.	0.150	1,000
MB1608W-331-LF	330±25%	450 Typ.	0.210	500
MB1608W-391-LF	390±25%	520 Typ.	0.300	500
MB1608W-471-LF	470±25%	550 Typ.	0.210	500
MB1608W-601-LF	600±25%	700 Typ.	0.350	500

- Test equipment : Agilent/HP-4291A impedance analyzer or equipment .
- Operating temperature range -55°C to +125°C , Electrical specifications at 25°C .

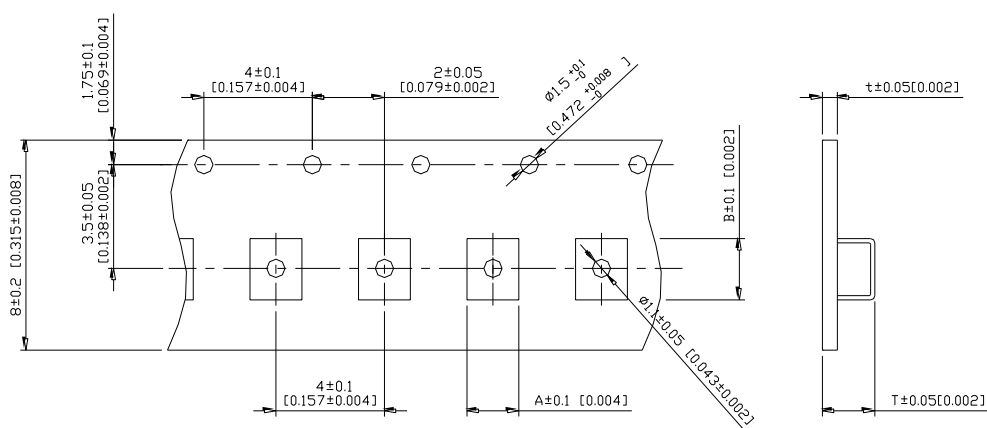
MB1608W SERIES ~ Multilayer Chip Ferrite Bead for GHz Noise



PACKAGING SPECIFICATION



	A	B	C	D	E	W8	W12	t	R
T(ψ 178mm) Reel	ψ 178 \pm 2	ψ 60 \pm 1	ψ 13 \pm 0.8	ψ 21 \pm 0.8	2	10 \pm 1.5	14.5 \pm 1.5	1.27 \pm 0.2	1



TYPE	A	B	T	t	T(ϕ 178mm)	T(ϕ 330mm)
MB1608W	1.10	1.90	1.10	0.2	4000 pcs/reel	-